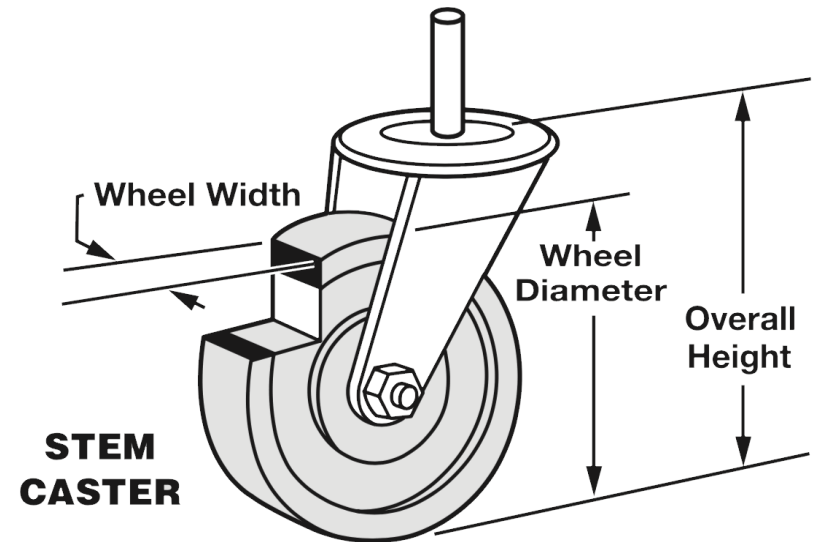
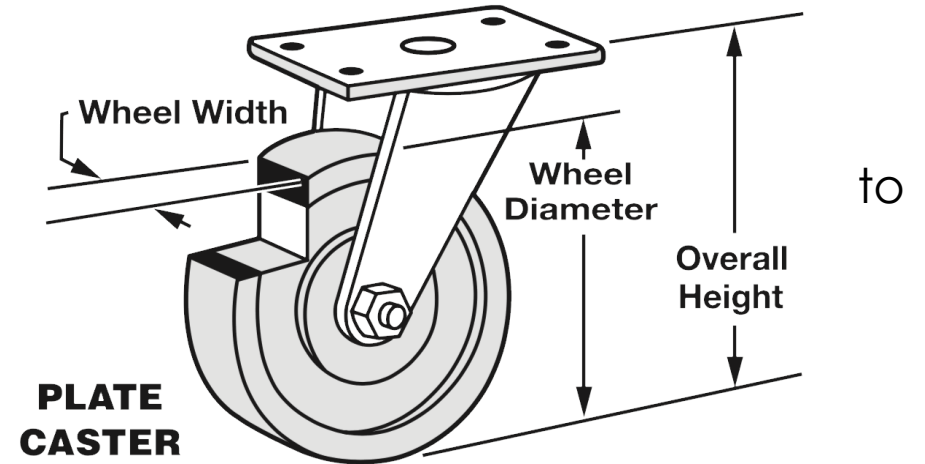


CASTORS

Using Castors on Flats

Types of casters

Casters come in two types – plate caster and stem caster. For theatre work, the default type is plate caster. It is easier secure to flats and platforms and is the sturdier of the types. It is secured to the flats or platforms with bolts – not screws.

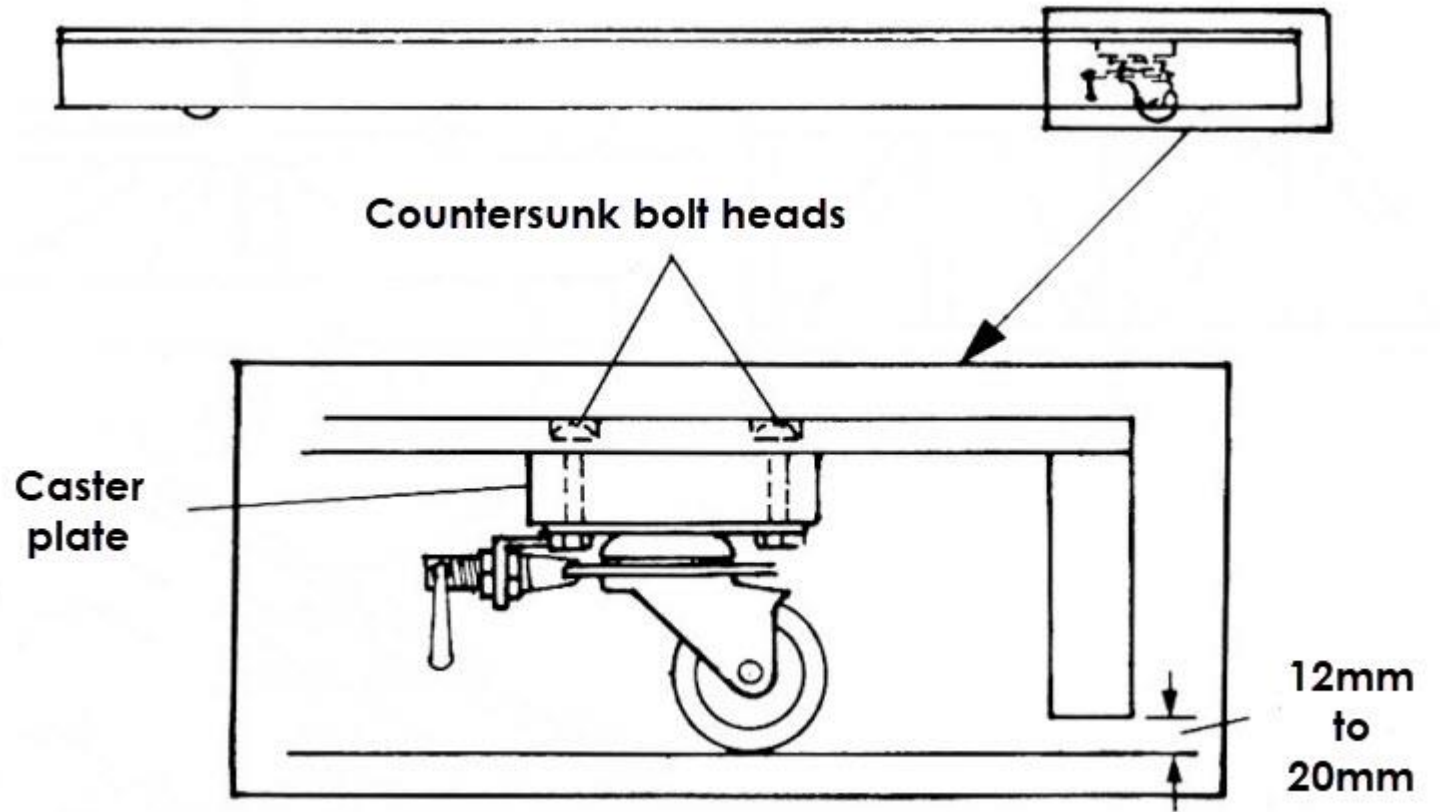


Castors

Wagons are platforms that are supported on casters rather than legs. Castors can also be used on flats to enable rapid movement for scenery changes.

Castors can be either fixed or swivel, bolt onto caster plates which then are attached to the base of the frame.

Caster plates are sized to create a 20mm to 10mm clearance from the deck/stage.



Castering techniques

- a Single caster mounted on rear of flat.
- b Single caster mounted in corner.
- c Outrigger wagon.
- d Tip jack:
 - 1 Scenery tipped back to rest on casters.
 - 2 Scenery upright; blocked-off caster in working position.
- e Castered jack:
 - 1 Side view showing how scenery is held clear of floor.
 - 2 Caster jack on a hinged or "wild" piece of scenery.
- f Flat-top swivel caster.
- g Flat-top fixed caster.
- h Stem-type swivel caster for furniture.
- i Small stem-type ball caster for furniture.
- j Large stem-type swivel caster; mounts into bottom of scaffolding pipe.
- k Triple-swivel caster (zero throw caster).

